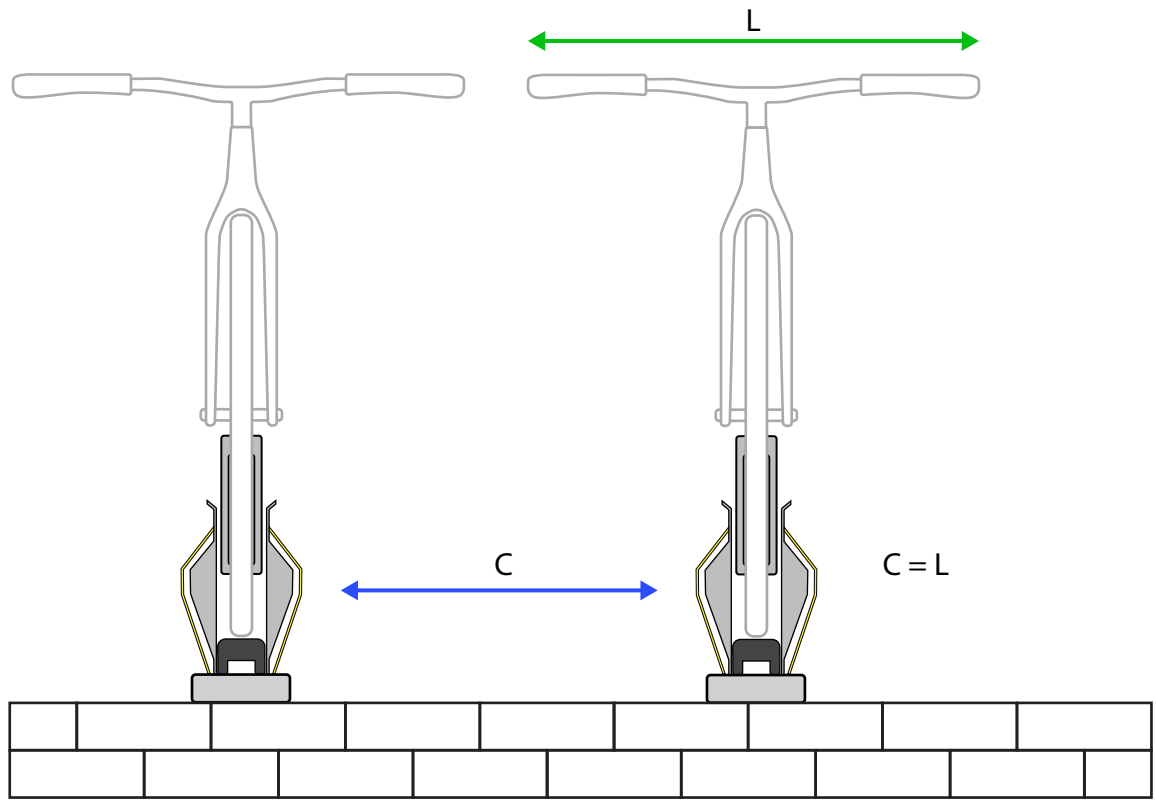


TOP VIEW

L - handlebar length  
C - distance between PARKIS  
B - mounting accessory



TOP VIEW

