



PARKIS

USER MANUAL

PARKIS

| MTB |

DEAR USER,

Congratulations on purchasing your PARKIS!

PARKIS is equipment for vertical bicycle parking, which lets you free up precious storage space on the floor. Should you need more information on PARKIS purpose, usage and installing, please visit us at www.parkis.eu. If you have any questions, we'll have answers!

IMPORTANT

These instructions accompanying the product are original.

It is important that you read the entire **USER MANUAL** to familiarise with this product before use. Persons not acquainted with the information provided in this manual are not allowed to use the equipment. Adult supervision is highly recommended for junior users of the PARKIS. We do not take any responsibility, and we are not liable for any damage caused through use of PARKIS in case you fail to follow the instructions provided in this manual strictly. Warranty will not be applied if your failure to follow the instructions causes the damage. Having read the manual carefully, please keep it for your or subsequent PARKIS holders reference as this manual is a part of the product. While every effort has been made to ensure the accuracy of the information contained in this manual, the PARKIS policy of continuous improvement determines the right to make modifications without prior warning.

INTRODUCTION

This **USER MANUAL** applies for PARKIS MTB. Further in the text - PARKIS. All **USER MANUALS** are updated continually. Users should make sure that they use the latest version. Downloads are available here: www.parkis.eu

UAB PARKIS
Piliakalnio str. 7
Vilnius
Lithuania
LT-06229

WEBSITE: www.parkis.eu
SUPPORT: parkis@parkis.eu

CONTENT

1. INTENDED USE

page 4

2. SET

page 5

3. KEY ELEMENTS

page 5

4. INSTALLATION

page 6

5. USE (OPERATION)

page 6

6. MAINTENANCE

page 7

7. DEACTIVATION

page 8

8. SAFETY

page 9

9. DISMANTLING

page 9

10. WARRANTY

page 9

1. INTENDED USE

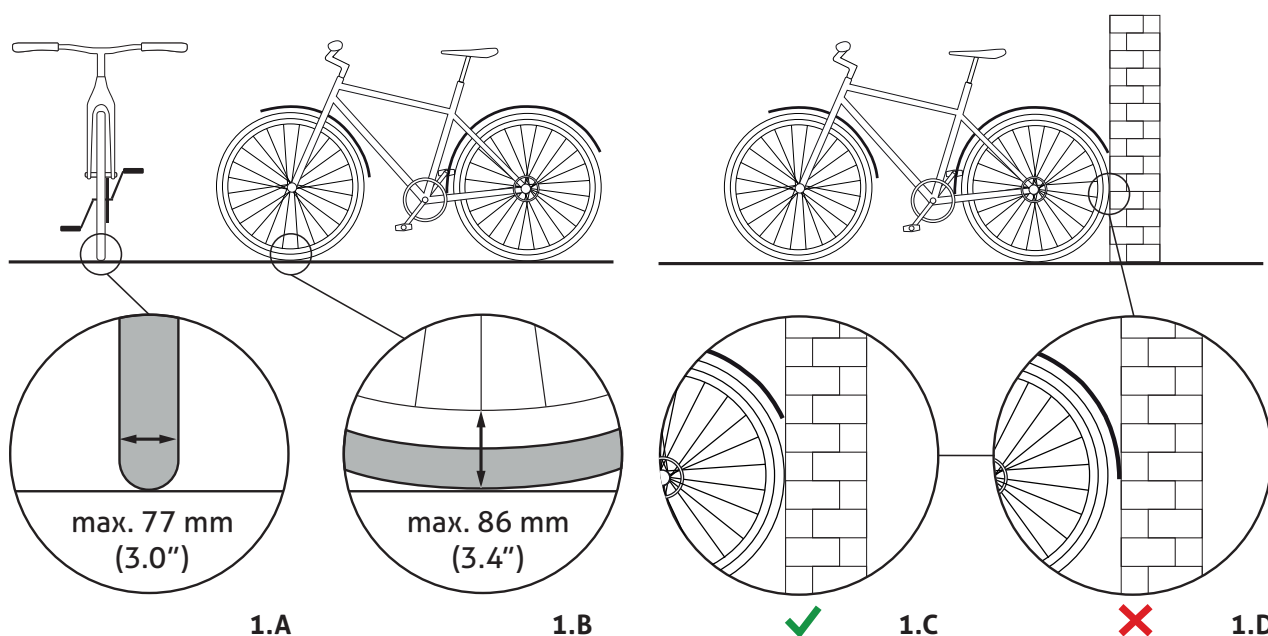
1.1 This bicycle parking lift PARKIS MTB, (further in the text – PARKIS), is mechanical equipment designed for vertical parking of your bicycle.

1.2 PARKIS fits the majority of popular bicycle models. Only these criteria apply:

- * tire width – max. 77 mm (3.0") (fig. 1.A)
- * rim + tire total height – max. 86 mm (3.4") (fig. 1.B)
- * wheel diameter – min. 61 cm (24")
- * recommended weight – 30 kg (66 lb)
- * mud flaps end must be above the wheel axis (fig. 1.C, 1.D).

Suitability can be checked by leaning the bike's rear-wheel against the wall. If the gap of two fingers (or bigger) is left between the wall and the mud flap – PARKIS is suitable for your bike's mud flaps (fig. 1).

Fig. 1.



IMPORTANT! Before parking your bicycle, make sure it meets these criteria.

1.3 This version of PARKIS is designed for installation and use in a stable environment. It is not allowed to install and use it in any means of transportation, without using a special accessory for a dynamic environment.

1.4 For using PARKIS in public places, it is highly recommended to install an optional Locking Gates accessory.

PARKIS reference dimensions: 170 x 25 x 20 cm (67 x 10 x 7,9 in), reference weight 6 kg (13,2 lb).

2. SET

Set includes:

Parking lift PARKIS

4 screws for masonry wall installation

User manual

3. KEY ELEMENTS

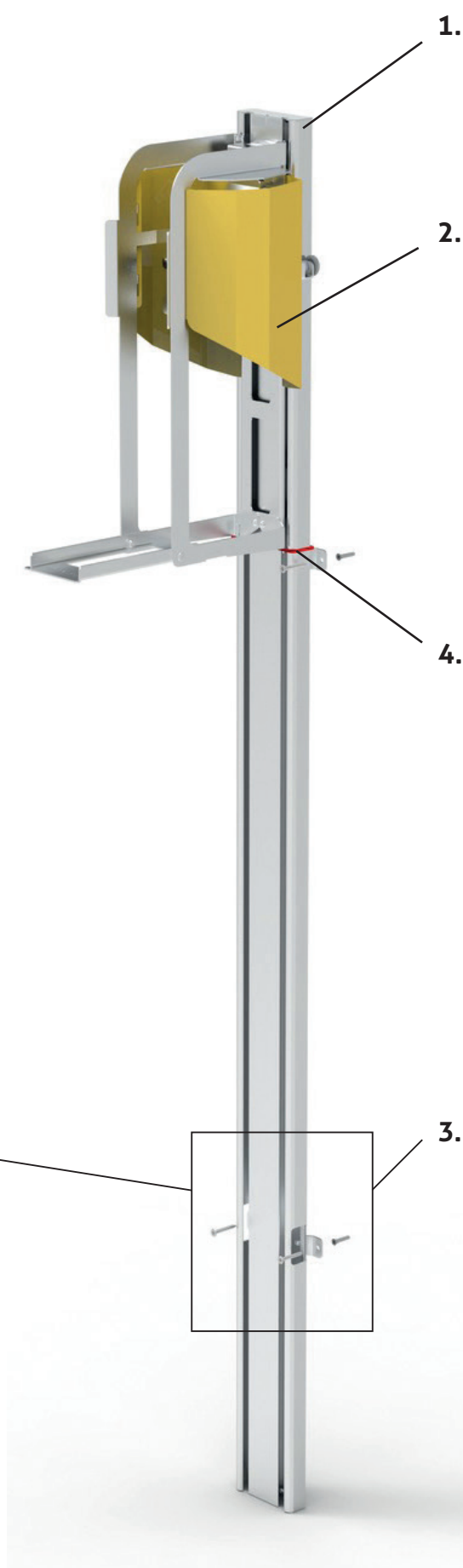
1. Stand

2. Wheel locking mechanism (dolly)

3. Screws (set includes masonry screws)

4. Safety-catch (for transportation only).
Having fastened the equipment to the wall,
the safety-catch is removed.

Fig. 2.



4. INSTALLATION

4.1 To install PARKIS, the wall's surface has to be even, and the floor has to be level. Rest the lower end of the stand **on the floor**, lean it to the wall and mark the spots for the screws. If you intend to mount PARKIS to the masonry wall (recommended), make pilot holes for fastening screws, install screw anchors, lean the equipment to the wall accurately and screw the equipment to the wall tightly. For other types of walls, please obtain suitable screws. For installation on other surfaces, such as railings, remote support and walls with skirting board (plinth), please refer to the PARKIS accessories.

4.2 Remove safety-catch (fig. 3.A).

4.3 Put a wheel's support to the horizontal position (fig. 3.B).

4.4 Push a wheel locking mechanism (further in the text – dolly) to the ground position limit. You will normally feel resistance while pushing. It will fix automatically on floor level (fig. 3.C), now your PARKIS is ready to use!

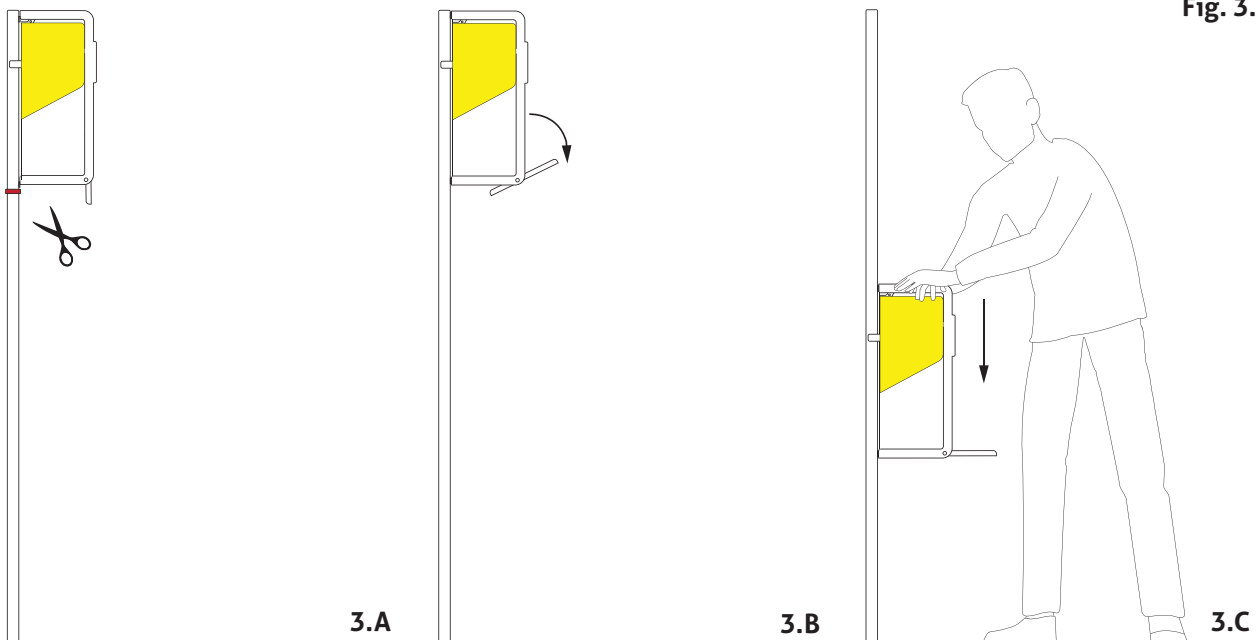


Fig. 3.

5.1 USE - PARKING

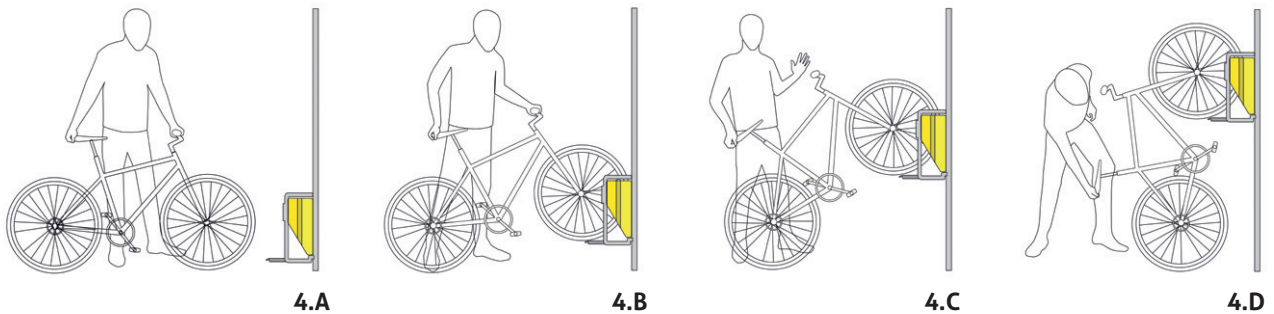
1. Before parking your bicycle, make sure that there are no children or pets around to avoid accidents. Hold your bike so that both wheels are on the line perpendicularly to the surface that PARKIS is fastened to.

2. Use one hand to lightly hold a handlebar of your bicycle (first-time users are advised to pick the bar underhand) and firmly take the saddle with the other hand. We recommend you to hold the saddle with your leading hand. (fig. 4.A)

3. Firmly push the saddle forward while lifting up the handlebar lightly (stronger for heavy bicycles) and directing the front wheel towards the wheel locking mechanism until the wheel locks. Attention! Do not push the handlebar downwards! Let the front wheel go up freely (fig. 4.B and 4.C). At the same time hold the saddle firmly and direct a rear wheel so that it goes in the middle of the stand. Your bike is parked! (fig. 4.D)

NOTE! If the wheel has not been locked from the first time and the dolly has moved upwards, just put your bicycle aside safely, use a hand to push the dolly down until fixed position (fig. 3.C) and repeat the parking process once again. Some practice is necessary to get used to parking your bicycle this way. While parked, your bike has to be protected from accidental impact (e.g. turning or bending) as this can damage the equipment, your bicycle or harm a person.

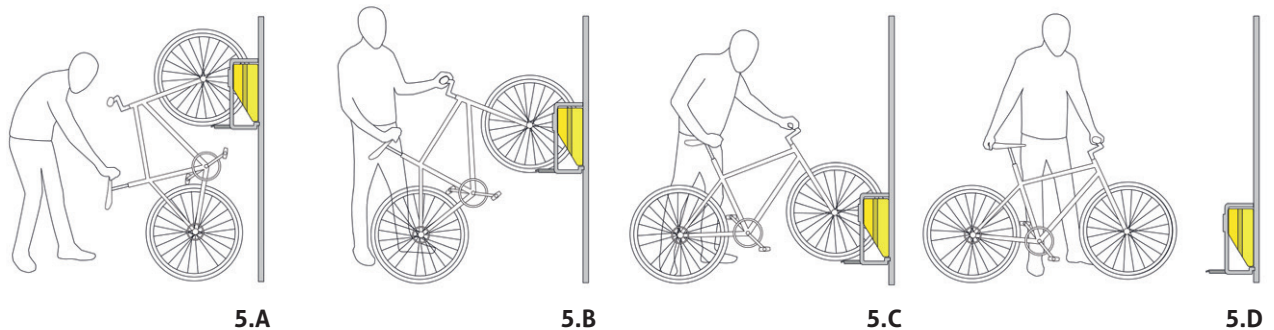
Fig. 4.



5.2 USE - REMOVING A BICYCLE

Hold the saddle (not the handlebar!) by hand and pull the bicycle towards yourself (fig. 5.A). As the bike starts descending push a handlebar down with your other hand (fig. 5.B & 5.C) until the front wheel reaches the ground and is removed from the wheel locking mechanism (fig. 5.D). Your bicycle is removed from the parking equipment!

Fig. 5.



6. MAINTENANCE

PARKIS construction allows to use it for a long time without any particular maintenance. Consider these tips for enjoying PARKIS even more:

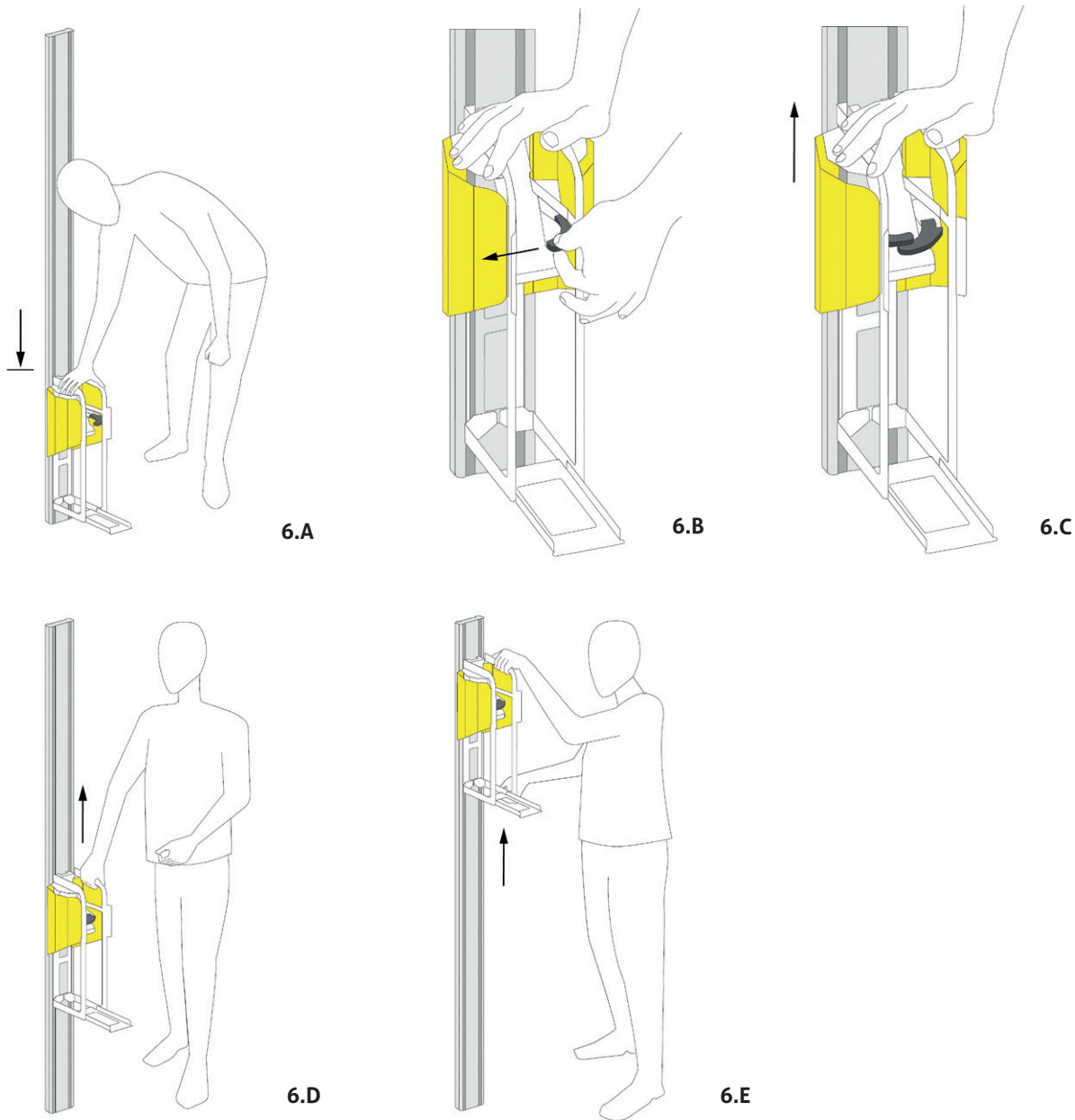
1. Get your bike clean before you park it in PARKIS.
2. Do not use materials containing solvents or diluents to clean PARKIS.

If you intend not to use PARKIS for a more extended period (a month or more), we recommend keeping a dolly in the upper position on the stand (deactivated) – the way it is positioned when a bicycle is parked or the equipment is not activated (see par. No. 7). It increases the durability of the springs inside the stand.

7. DEACTIVATION

Perform deactivation before dismantling, maintenance, cleaning or leaving PARKIS without parked bicycle for an extended period (a month or more).

Fig. 6.



1. When the dolly is in the down position, lean over and hold it firmly with your leading hand from above, expecting it to rise (fig. 6.A).
2. With your other hand, grab the black plastic part and pull it towards the same black part on the opposite side until it stops (fig. 6.B).
3. Now gently loosen your leading arm to allow the trolley to move smoothly upwards (fig. 6.C).
4. Gently pull the dolly to the upper position. You have performed deactivation (fig. 6.D & 6.E).

8. SAFETY

When unpacking, make sure that the item is intact and undamaged. If any parts are broken, please contact your seller.

Use PARKIS to park only technically accurate bicycles and only those that meet the above listed specifications (see par. no. 1.2).

Having parked your bicycle make sure that the front wheel is properly locked and the rear wheel rests centred to the PARKIS stand.

Do not use bicycle lift if the stand surface got damp due to humidity condensation, precipitation or other reason.

ATTENTION! When the dolly is fixed in the lower position (activated), it possesses potentially dangerous energy (springs inside the stand are stretched!!!).

When the equipment is in use or dolly is in the lowered position (activated):

DO NOT place fingers inside any part of the equipment!

DO NOT try to dismantle or repair the bicycle lift!

DO NOT allow children to play near the bicycle lift!

DO NOT allow pets to be around the device!

9. DISMANTLING

1. Deactivate the parking equipment (see par. No. 7)

2. Remove screws that hold the equipment in place (it is recommended to start with the lower ones).

10. WARRANTY

This warranty covers all manufacturing and material defects for a period of 12 months from the day of product purchase. In case of a warranty claim, please provide the seller with the proof of purchase (a receipt).

The warranty does not cover transportation or post costs. During the period of the warranty, we will not cover damages and/ or defects resulting from typical wear and tear. The warranty does not cover damage resulting from abuse, misuse, failure to follow operating instructions or incorrect maintenance by the purchaser or third parties. The warranty does not apply if alterations have been made to the original construction.



www.parkis.eu

**Follow us on social media
for more inspiration and ideas!**



All rights reserved

2024_04