



PARKIS

# USER MANUAL

---

**PARKIS**

| CITY |

---

## DEAR USER,

### Congratulations on purchasing your PARKIS!

PARKIS is equipment for vertical bicycle parking, which allows you to free up precious storage space on the floor. Should you need more information on PARKIS's purpose, usage and installation, please visit us at [www.parkis.eu](http://www.parkis.eu). If you have any questions, we have answers!

## IMPORTANT

**These instructions accompanying the product are original.**

**It is important that you read the entire USER MANUAL to familiarise yourself with this product before use. Persons unfamiliar with the information provided in this manual are not allowed to use the equipment. Adult supervision is highly recommended for junior users of PARKIS. We do not accept any responsibility and are not liable for any damage caused by the use of PARKIS in case you fail to follow the instructions in this manual. The warranty will not be applied if your failure to follow the provided instructions causes damage. Having read the manual carefully, please keep it for your or subsequent PARKIS holders' reference as this manual is a part of the product. While every effort has been made to ensure the accuracy of the information contained in this manual, the PARKIS policy of continuous improvement determines the right to make modifications without prior warning.**

## INTRODUCTION

This USER MANUAL applies to PARKIS CITY. Further in the text - PARKIS. All USER MANUALS are updated continually. Users should make sure that they use the latest version. Downloads are available here: [www.parkis.eu](http://www.parkis.eu)

---

UAB PARKIS  
Piliakalnio str. 7  
Vilnius  
Lithuania  
LT-06229

WEBSITE: [www.parkis.eu](http://www.parkis.eu)  
SUPPORT: [parkis@parkis.eu](mailto:parkis@parkis.eu)

# CONTENT

---

## **1. INTENDED USE**

*page 4*

## **2. SET**

*page 5*

## **3. KEY ELEMENTS**

*page 5*

## **4. INSTALLATION**

*page 6*

## **5. USE (OPERATION)**

*page 6*

## **6. MAINTENANCE**

*page 7*

## **7. DEACTIVATION**

*page 8*

## **8. SAFETY**

*page 8*

## **9. DISMANTLING**

*page 9*

## **10. WARRANTY**

*page 9*

---

# 1. INTENDED USE

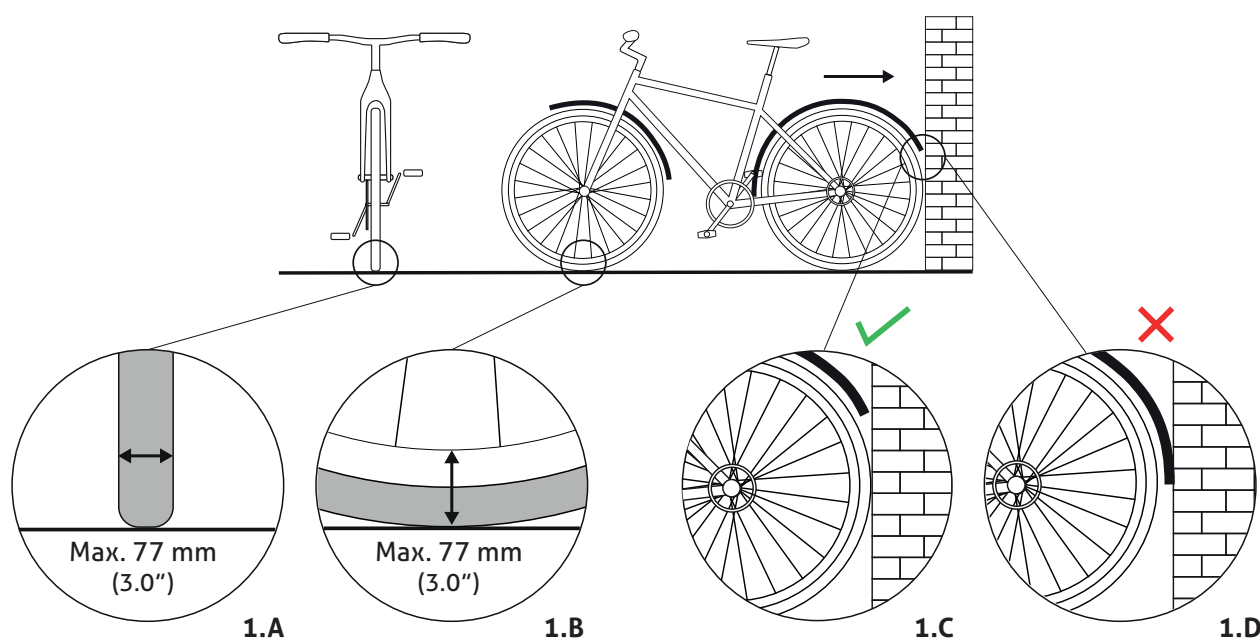
**1.1** This bicycle parking lift PARKIS CITY is mechanical equipment designed for the vertical parking of your bicycle.

**1.2** PARKIS fits the majority of popular bicycle models. Only these criteria apply:

- \* tire width – max. 77 mm (3.0") (fig. 1.A)
- \* rim + tire total height – max. 77 mm (3.0") (fig. 1.B)
- \* wheel diameter – min. 61 cm (24")
- \* bicycle weight – up to 30 kg (66 lb)
- \* mud flap end must be above the wheel axis (fig. 1.C, 1.D).

Suitability can be checked by leaning the bike's rear wheel against the wall. If the gap of two fingers (or bigger) is left between the wall and the mud flap – PARKIS is suitable for your bike's mud flaps (fig. 1.C, 1.D).

Fig. 1.



**IMPORTANT!** Before parking your bicycle, make sure it meets these criteria.

**1.3** This version of PARKIS is designed for installation and use in a stable environment.

PARKIS reference dimensions: 170 x 22 x 20 cm (67 x 8,7 x 7,9 in), reference weight 6 kg (13,2 lb).

## 2. SET

Set includes:

Parking lift PARKIS

4 screws for masonry wall installation

User manual

Fig. 2.

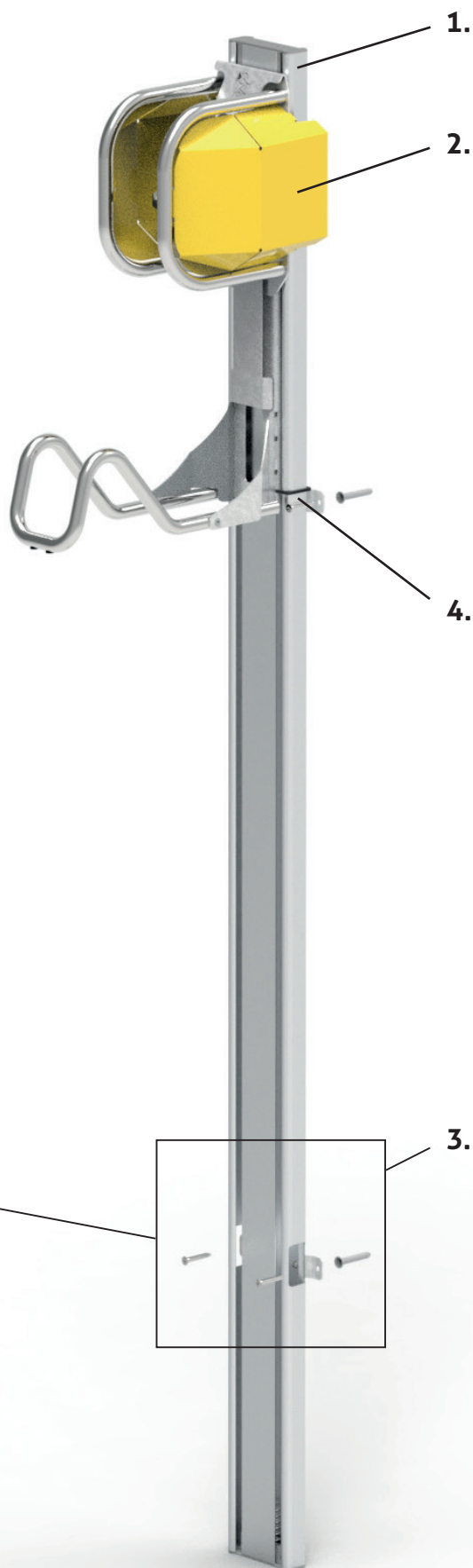
## 3. KEY ELEMENTS

1. Stand

2. Wheel locking mechanism (dolly)

3. Screws (set includes masonry screws)

4. Safety-catch (for transportation only).  
Having fastened the equipment to the wall,  
the safety-catch is removed.



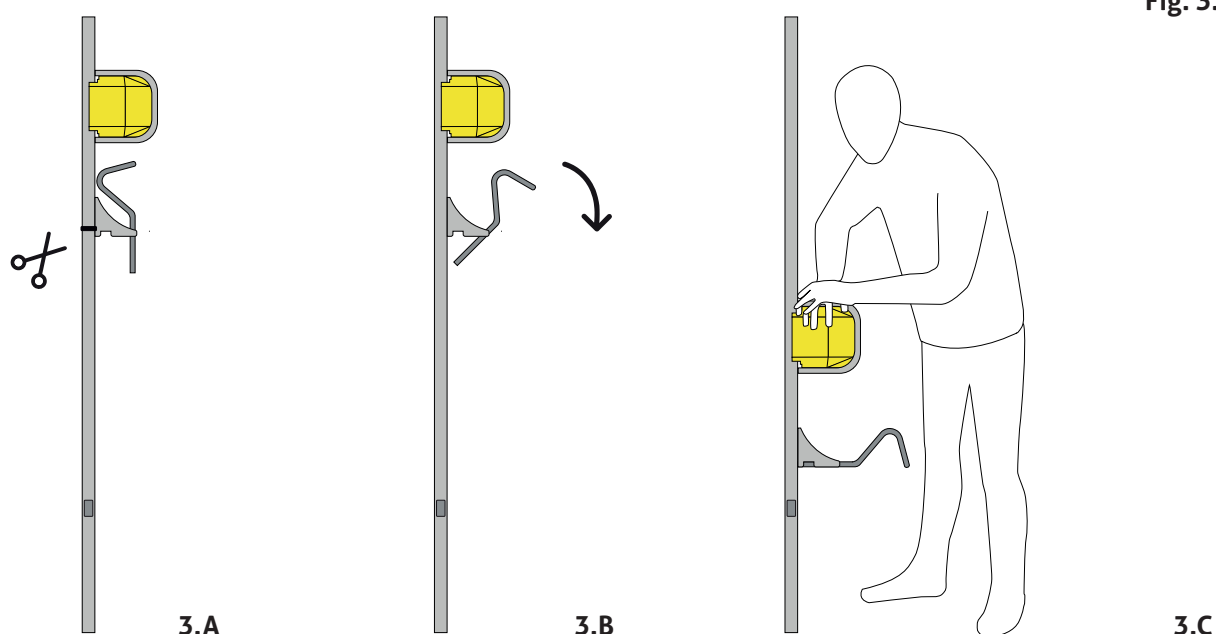
## 4. INSTALLATION

**4.1** To install PARKIS, the wall's surface has to be even, and the floor has to be level. Rest the lower end of the stand **on the floor**, lean it to the wall and mark the spots for the screws. If you intend to mount PARKIS to the masonry wall (recommended), make pilot holes for fastening screws, install screw anchors, lean the equipment to the wall accurately and screw the equipment to the wall tightly. For other types of walls, please obtain suitable screws. For installation on other surfaces, such as railings, remote support and walls with skirting board (plinth), please refer to the PARKIS accessories.

**4.2** Remove safety-catch (fig. 3.A).

**4.3** Put a wheel's support to the horizontal position (fig. 3.B).

**4.4** Push a wheel locking mechanism (further in the text – dolly) to the ground position limit. You will normally feel resistance while pushing. It will fix automatically at floor level (fig. 3.C), and now your PARKIS is ready to use!



## 5.1 USE - PARKING

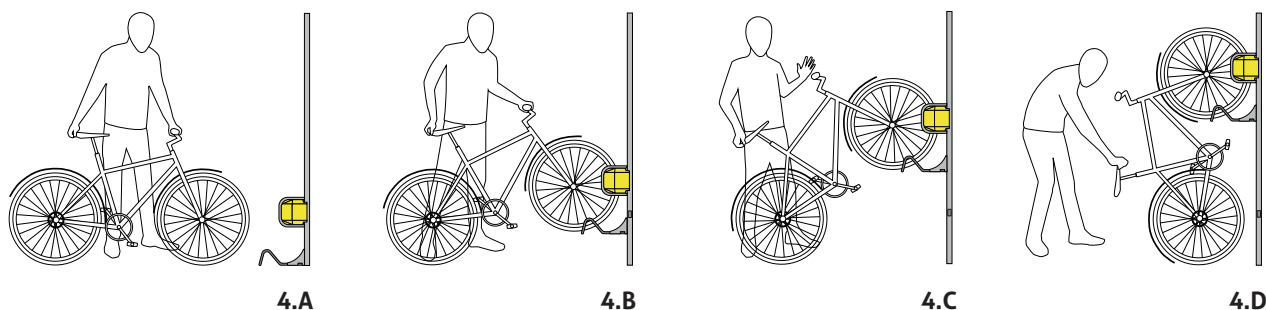
**1.** Before parking your bicycle, make sure that there are no children or pets around to avoid accidents. Hold the bike so that both wheels are perpendicular to the surface that PARKIS is fastened to.

**2.** Use one hand to lightly hold your bicycle's handlebar (first-time users are advised to pick the bar underhand) and firmly take the saddle with the other hand. We recommend you hold the saddle with your leading hand. (fig. 4. A)

**3.** Firmly push the saddle forward while lifting the handlebar lightly (stronger for heavy bicycles) and directing the front wheel towards the wheel locking mechanism, until the wheel locks. Attention! Do not push the handlebar downwards! Let the front wheel go up freely (fig. 4. B and 4. C). At the same time, hold the saddle firmly and direct the rear wheel the way it goes in the middle of the stand. Your bike is now parked! (fig. 4. D)

**NOTE!** If the wheel has not been locked from the first time and the dolly has moved upwards, just put your bicycle aside safely, use a hand to push the dolly down until fixed position (fig. 3. C) and repeat the parking process once again. Some practice is necessary to get used to parking your bicycle this way. While parked, your bike has to be protected from accidental impact (e.g. turning or bending) as this can damage the equipment, your bicycle or harm a person.

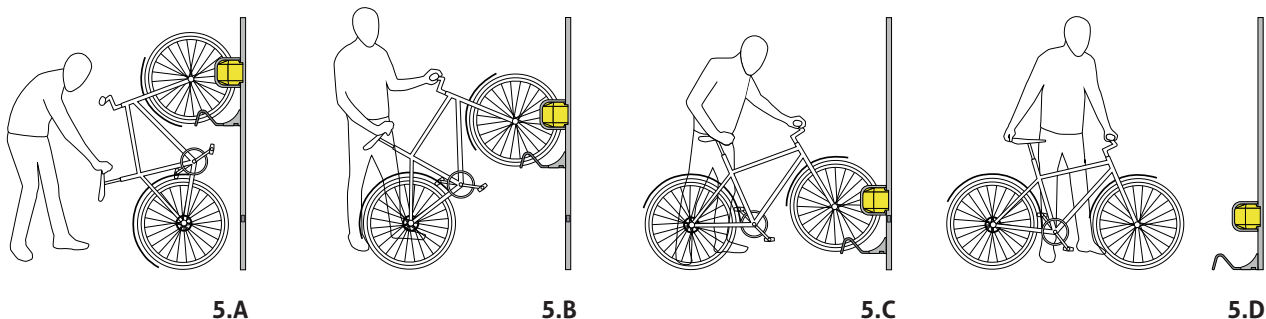
Fig. 4.



## 5.2 USE - REMOVING A BICYCLE

Hold the saddle (not the handlebar!) by hand and pull the bicycle towards yourself (fig. 5. A). As the bike starts descending, push the handlebar down with your other hand (fig. 5. B & 5. C) until the front wheel reaches the ground and is removed from the wheel locking mechanism (fig. 5. D). Your bicycle is now removed from the parking equipment!

Fig. 5.



## 6. MAINTENANCE

PARKIS construction allows for long term use without any particular maintenance. Consider these tips for enjoying PARKIS even more:

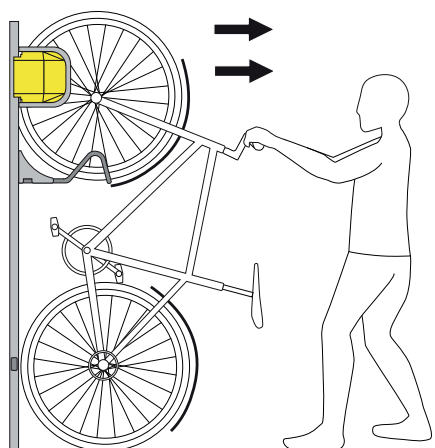
1. Get your bike clean before you park it in PARKIS.
2. Do not use materials containing solvents or diluents to clean PARKIS.

If you intend not to use PARKIS for a more extended period (a month or more), we recommend keeping a dolly in the upper position on the stand (deactivated). Similarly, it is positioned when a bicycle is parked or the equipment is not activated (see par. No. 7). Such a position increases the durability of the springs inside the stand.

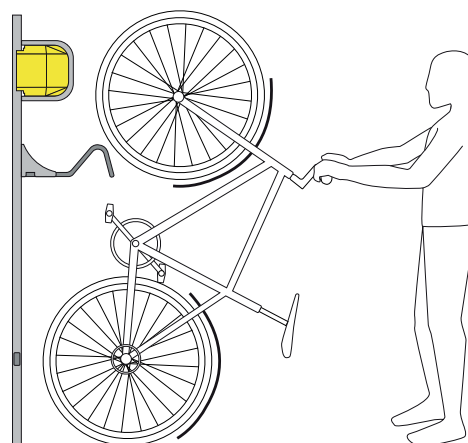
## 7. DEACTIVATION

Perform deactivation before dismantling, maintenance, cleaning or leaving PARKIS without a parked bicycle for an extended period (a month or more).

1. While the bicycle is parked in the vertical position, take both handlebars firmly (fig. 6. A).
2. Sharply pull the bike towards you (fig. 6. B). Being attentive when the dolly releases the front wheel and put your bike down carefully.



6. A



6. B

Fig. 6.

## 8. SAFETY

When unpacking, make sure that the item is intact and undamaged. If any parts are broken, please get in touch with your seller.

Use PARKIS to park only technically accurate bicycles that meet the above-listed specifications (see par. No. 1.2).

Having parked your bicycle, ensure the front wheel is locked correctly, and the rear wheel rests centred on the PARKIS stand.

Do not use a bicycle lift if the stand surface gets damp due to condensation, precipitation or any other reason.

**ATTENTION! When the dolly is fixed in the lower position (activated), it possesses potentially dangerous energy (springs inside the stand are stretched!!!).**

**When the equipment is in use or the dolly is in the lowered position (activated):**

**DO NOT place fingers inside any part of the equipment!**

**DO NOT try to dismantle or repair the bicycle lift!**

**DO NOT allow children to play near the bicycle lift!**

**DO NOT allow pets to be around the device!**

## **9. DISMANTLING**

- 1.** Deactivate the parking equipment (see par. No. 7)
- 2.** Remove screws that hold the equipment in place (it is recommended to start with the lower ones).

## **10. WARRANTY**

This warranty covers all manufacturing and material defects for 12 months (24 months in EU countries) from the day of product purchase. It is valid for private use, i.e. not for commercial installations. In case of a warranty claim, please provide the seller with the proof of purchase (a receipt).

The warranty does not cover transportation or post costs. We will not cover damages and defects resulting from typical wear and tear during the warranty period. The warranty does not cover damage resulting from abuse, misuse, failure to follow operating instructions or incorrect maintenance by the purchaser or third parties. The warranty does not apply if alterations have been made to the original construction.



---

[www.parkis.eu](http://www.parkis.eu)

---

**Follow us on social media  
for more inspiration and ideas!**

